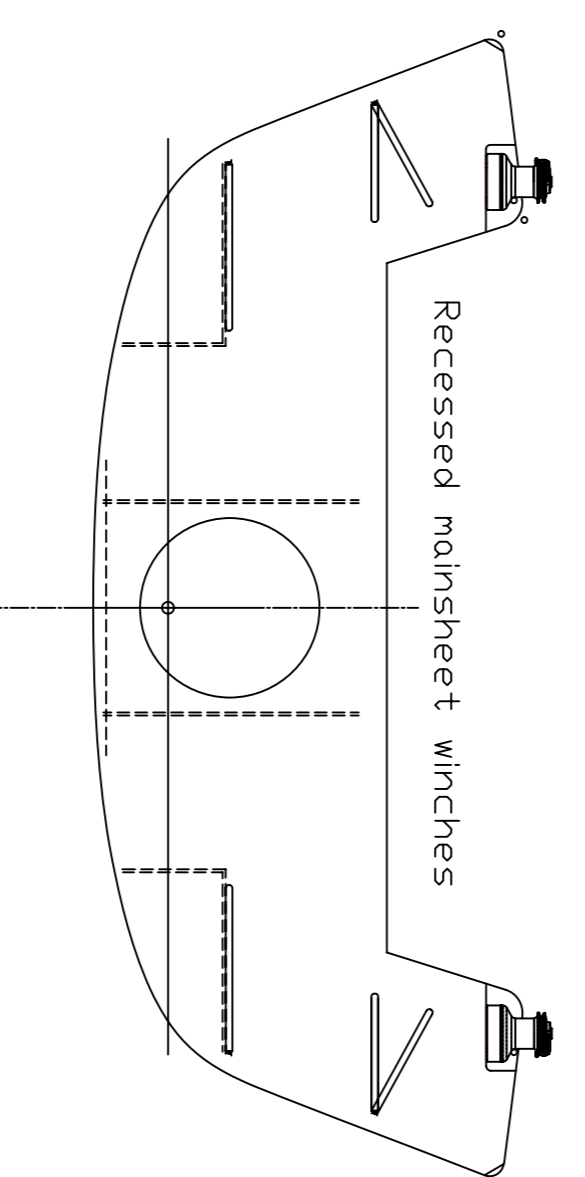
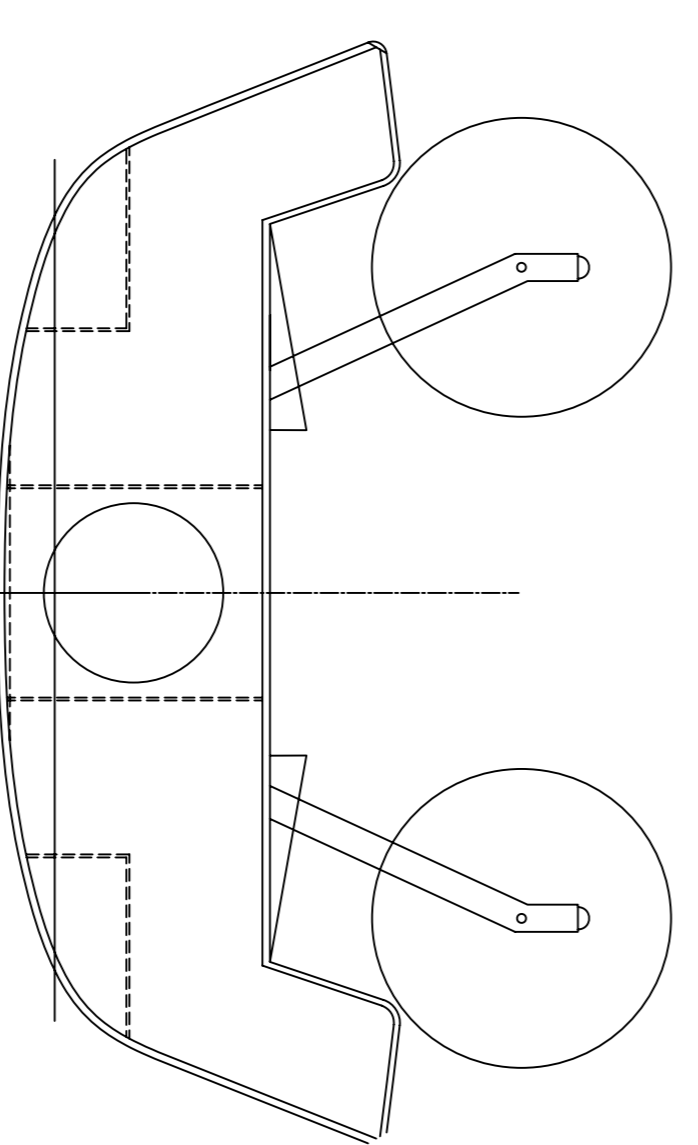


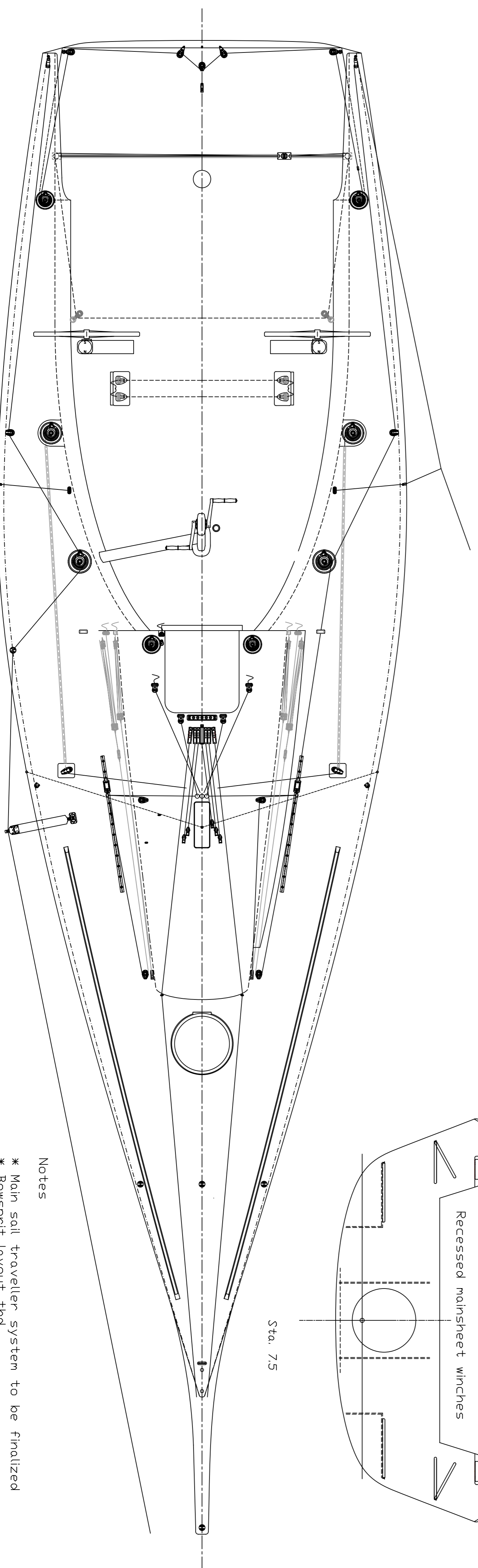
Sta. 6.5



Sta. 7.5



Sta. F



Notes

- \* Main sail traveller system to be finalized
- \* Bowsprit layout tbd
- \* mainsheet winches are lowered in the deck
- \* mainsheet winches are of B50.25tr type

LUTRA YACHT DESIGN

c/ NARANORONG 26, BUKITIN (NL)  
 TEL: +31(0)653469955 / FAX: +31(0)353180464  
 E-MAIL: LUTRAD@SBICOM

Dr-w:	Reference:
1	42gp0540
Date: 051207	
Dr-wr: RJ	
Scale: 1 : 20	

Luctor 42 GP Sloop  
 Prel. Deck Plan (V3) incl wheel and pedestal  
 for Mr. Jort Van Sisseren